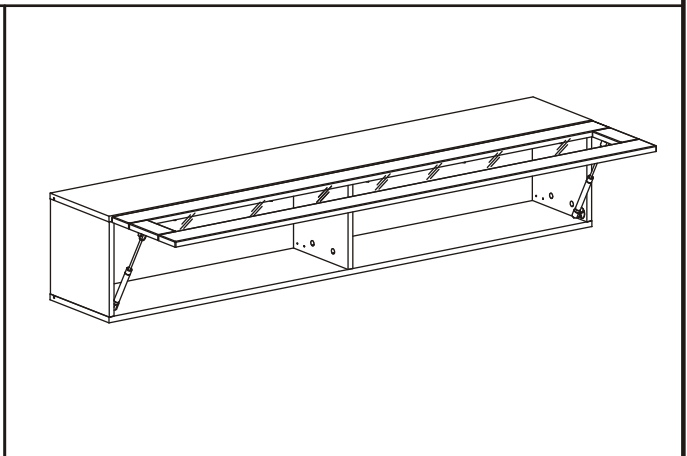
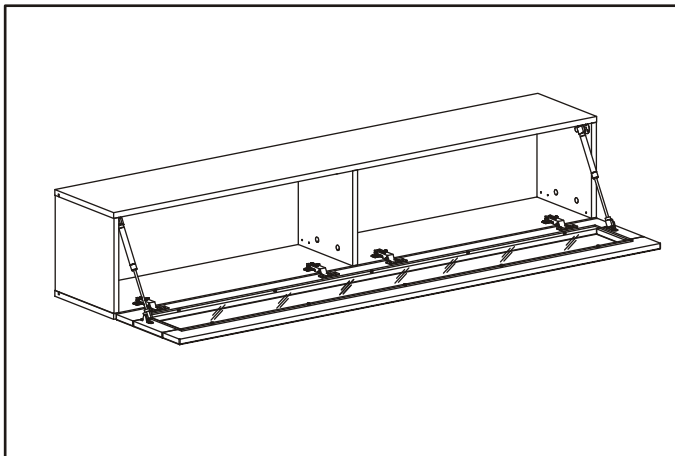
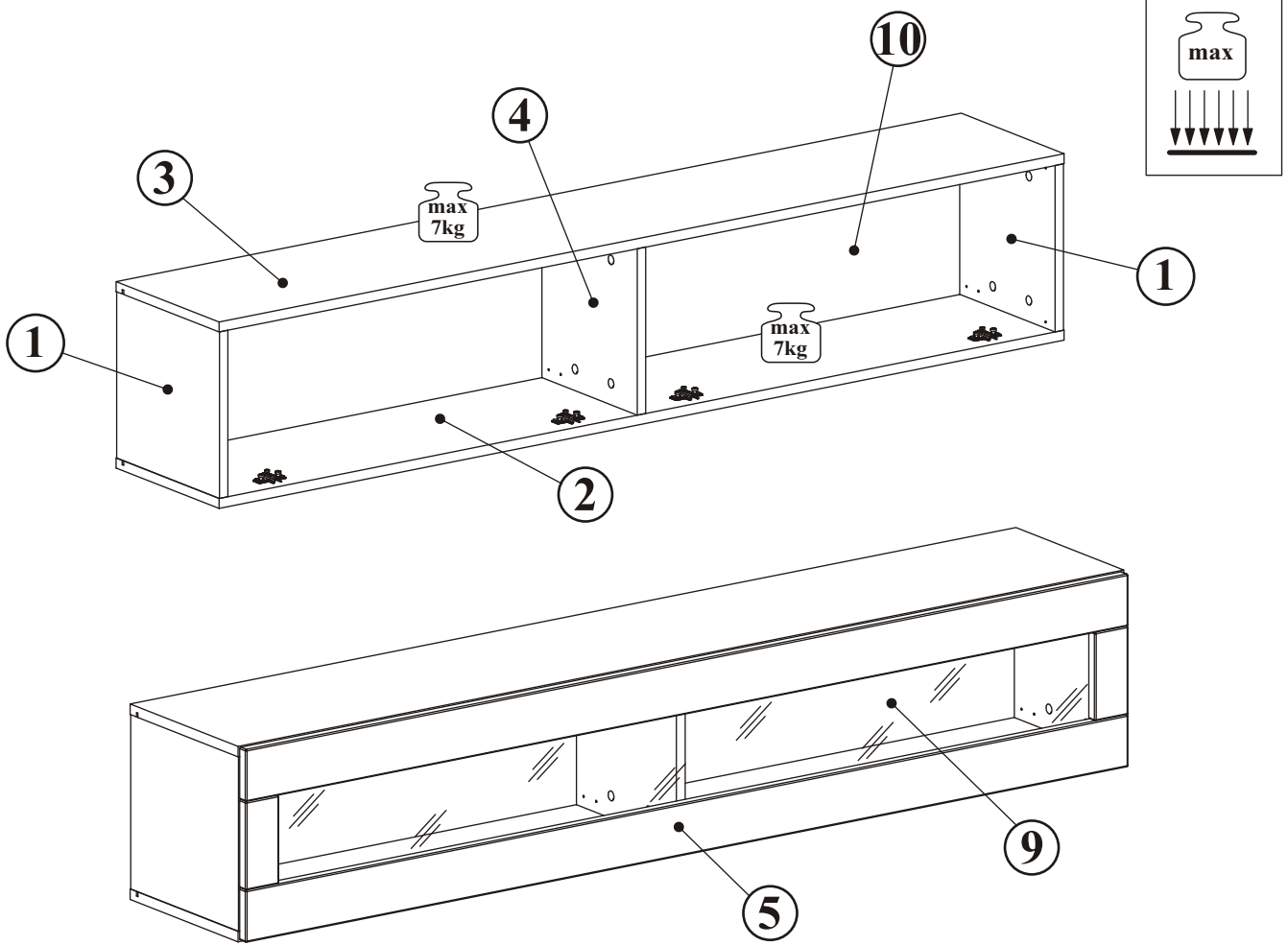
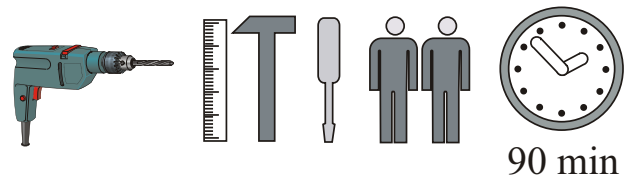

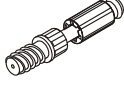


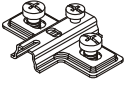
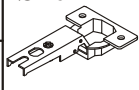


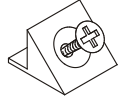
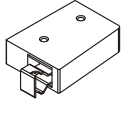




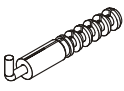

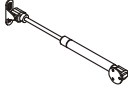


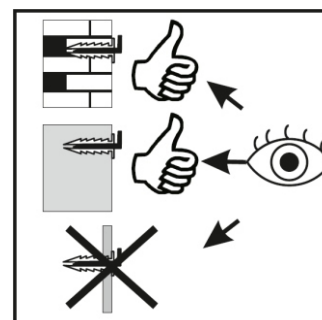
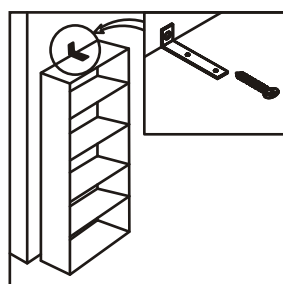
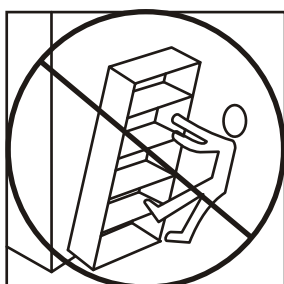
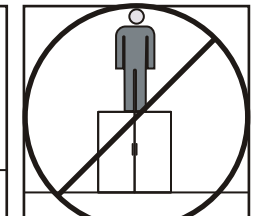
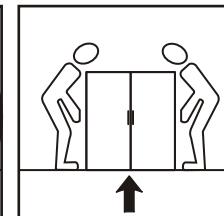
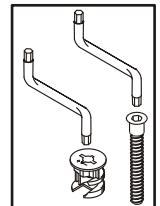
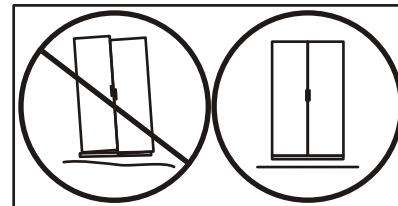
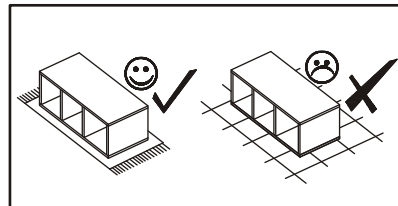
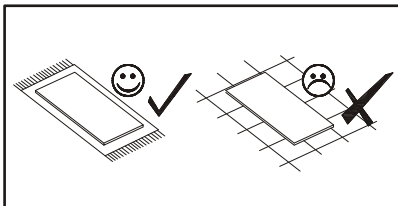
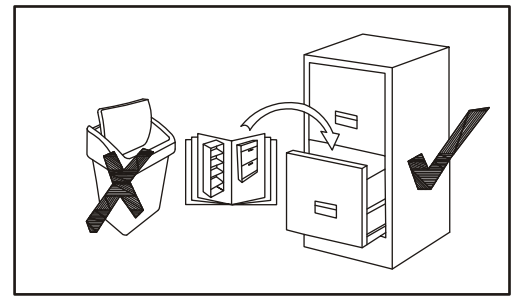
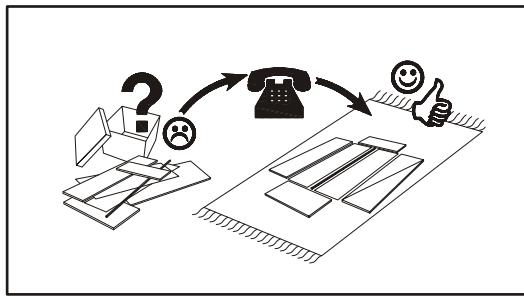
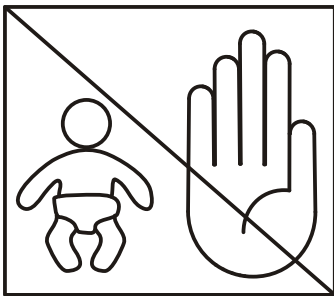
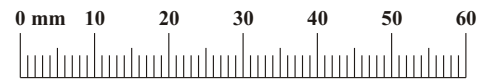
ПОЛКА



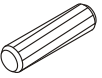
NO	Dim.		Col.-No	Qty
1	268	274	1	2
2	1602	274	1	1
3	1602	274	1	1
4	268	244	1	1
10	1580	280	1	1
5	1596	296	1	1
9	1496	176	1	1

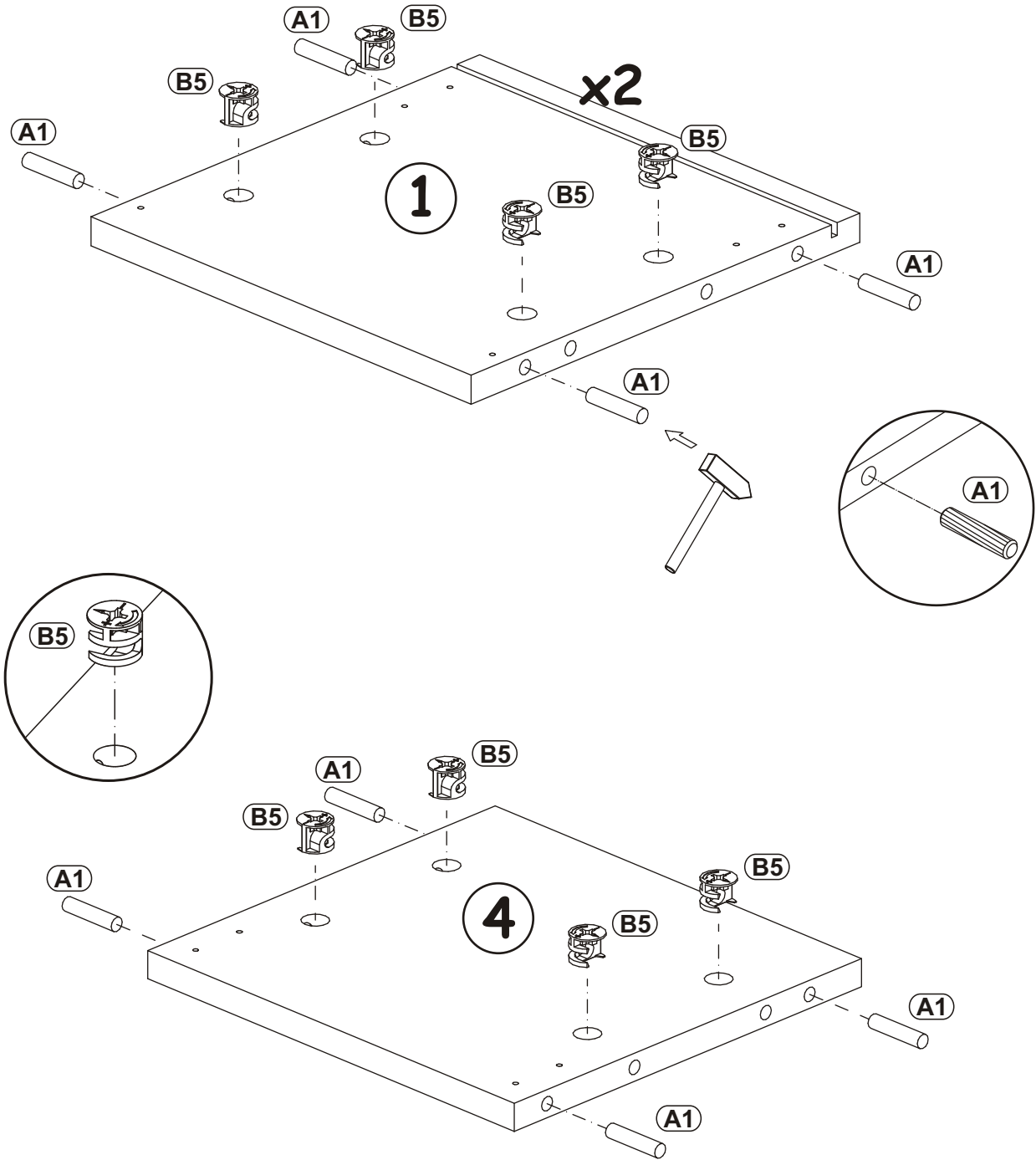


A1 x12  ø8x36	B4 x12 	B5 x12  ø15x12	G5 x12 	E2 x4  H=0	E1 x4  Ø26 H=0
T1 x2 	BO1 x2 	S1 x12 	ZR1 x3 	D6 x6  USØ3,5x30	D10 x22  USØ3,5x13
UP13 x12  UPØ3x16	G2 x1 	KR2 x3 	P2 x10 	BP1 x2 	

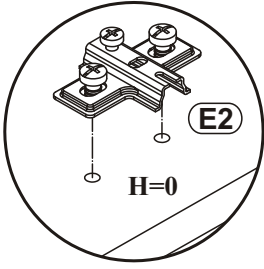


1

B5		A1	
x12	ø15x12	x12	ø8x36

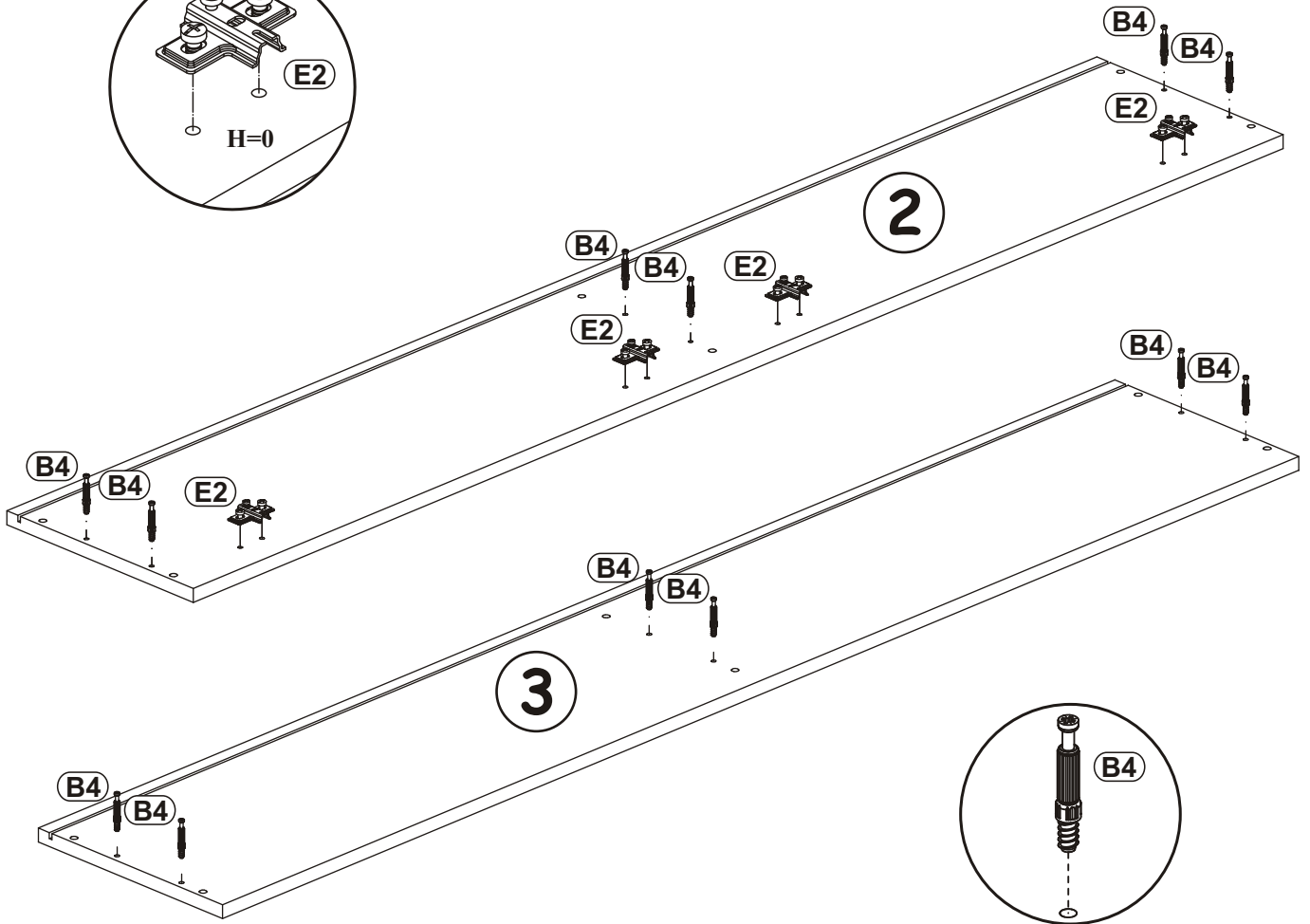


2

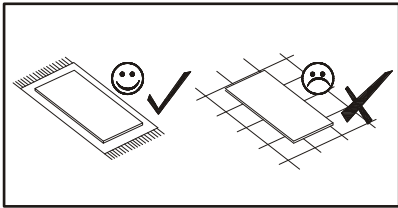


E2	
x4	H=0

B4	
x12	

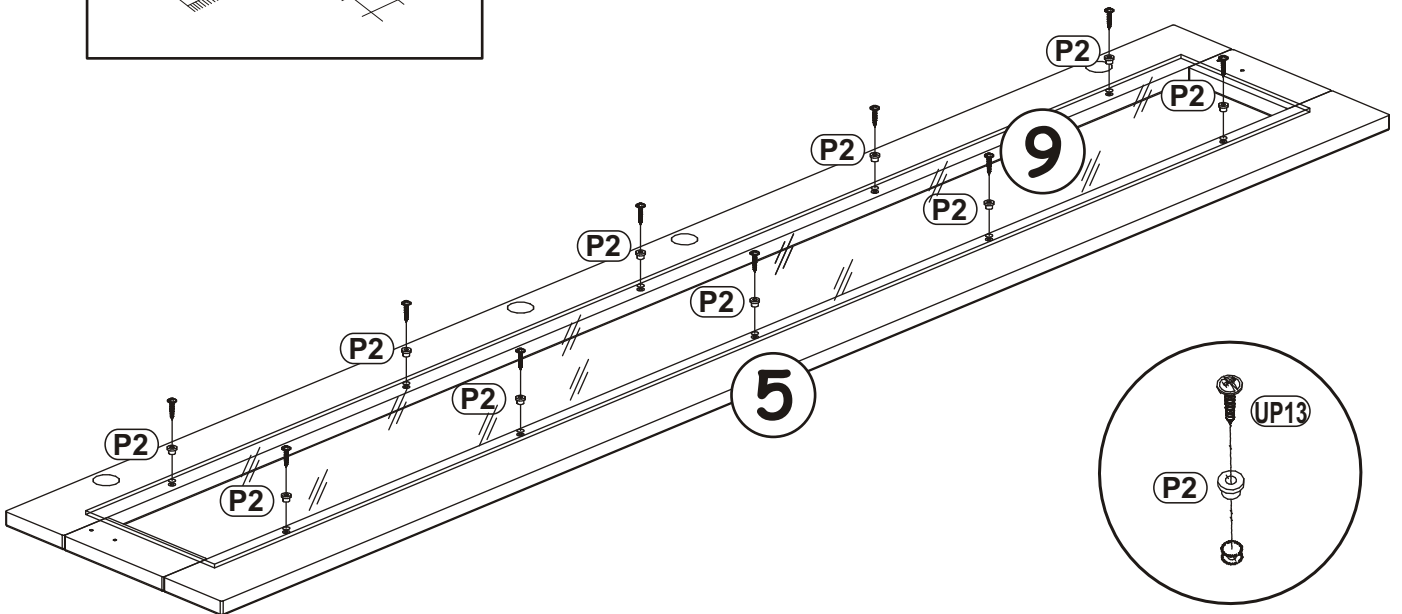


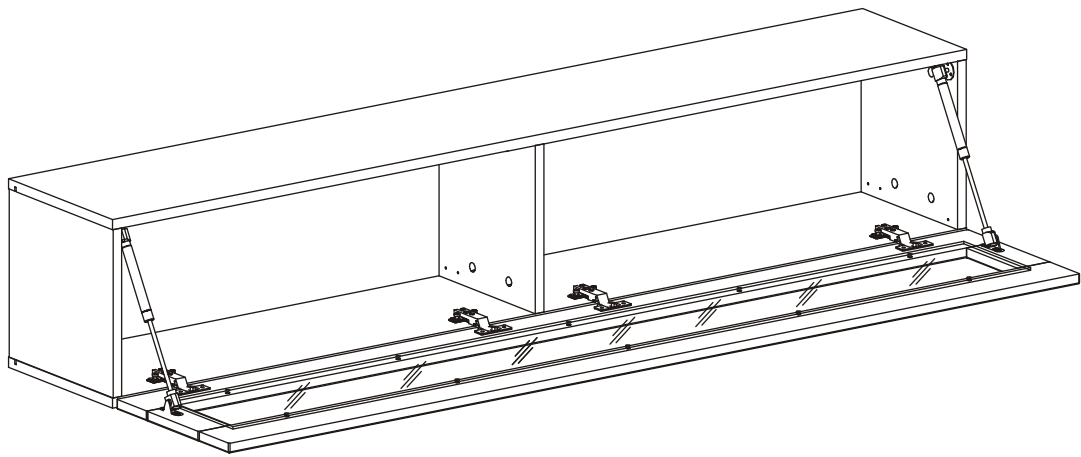
3



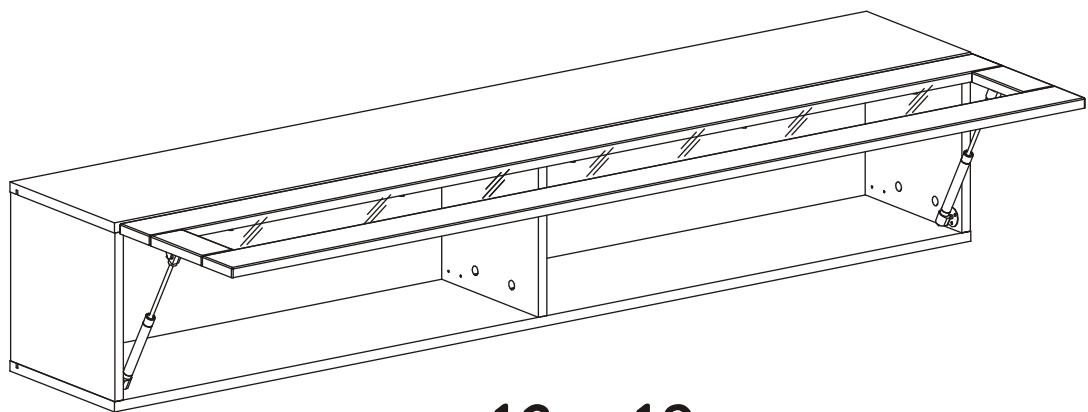
UP13	
x10	UPØ3x16

P2	
x10	



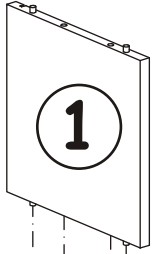
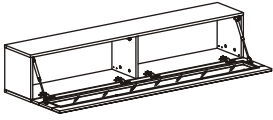


4 - 11

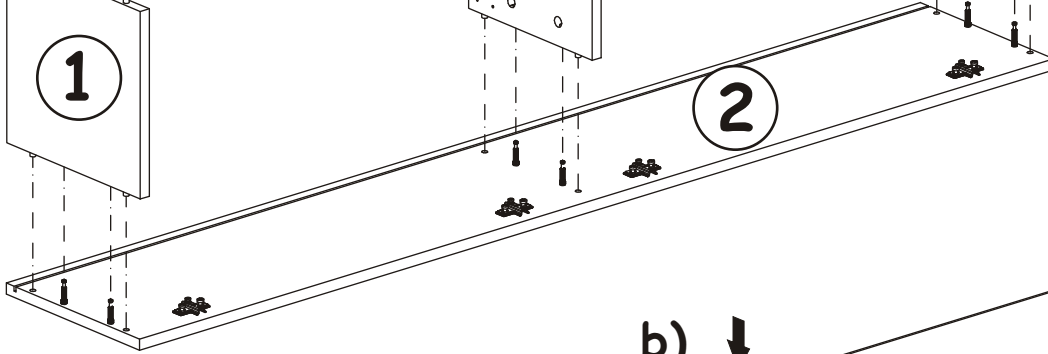
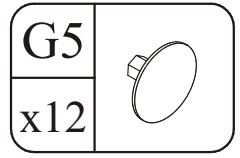
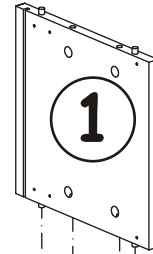


12 - 19

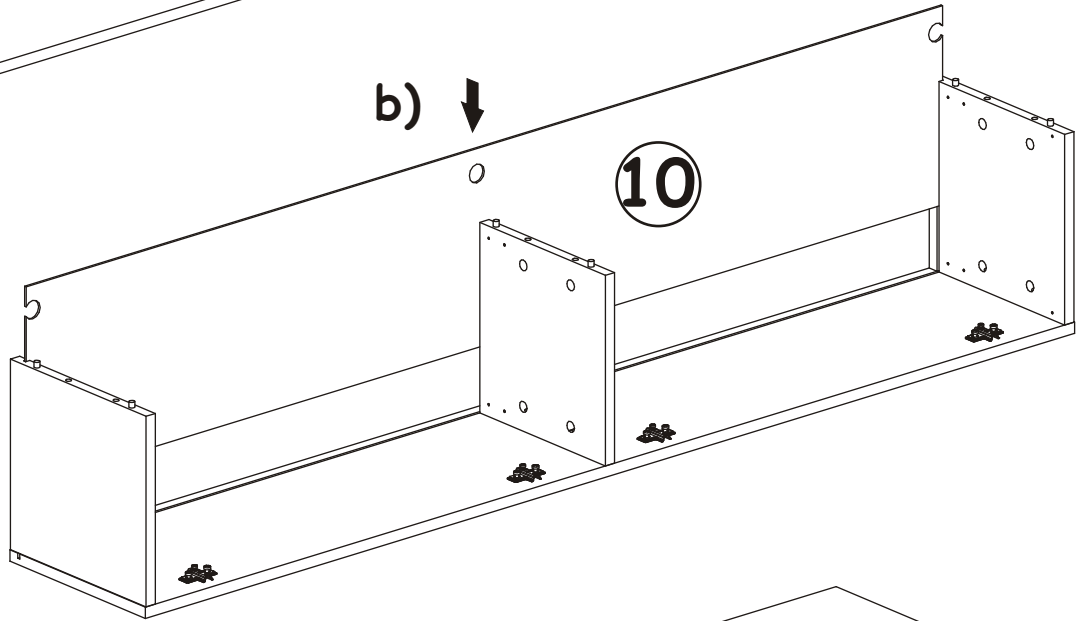
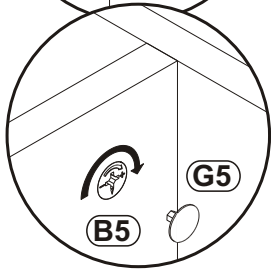
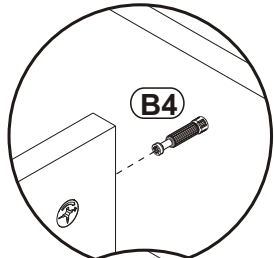
4



a)

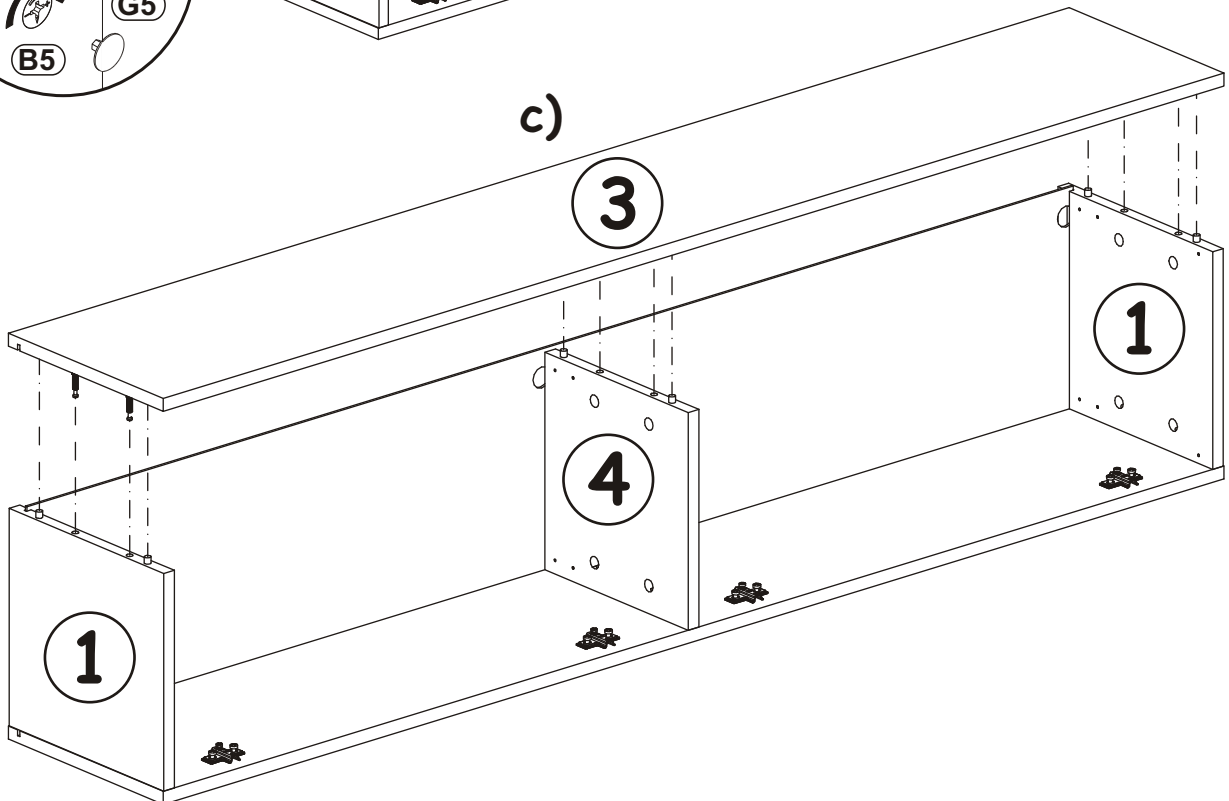


b) ↓



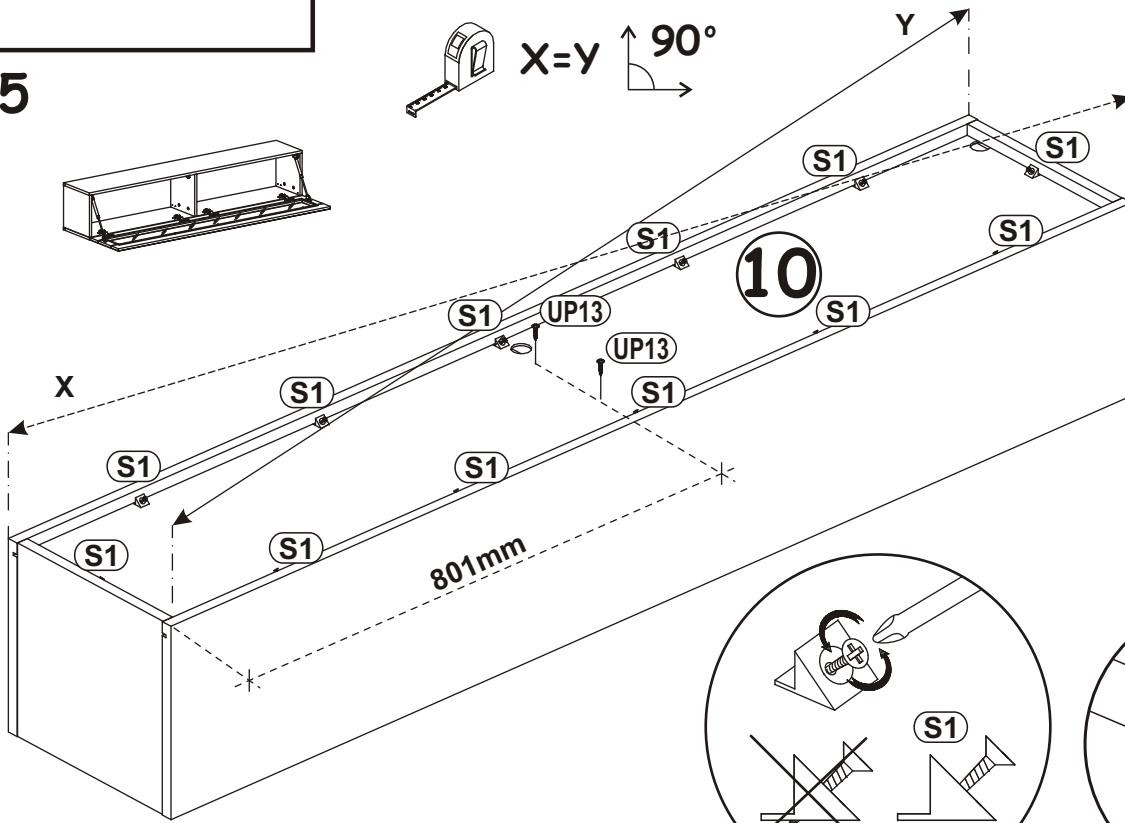
c)

3



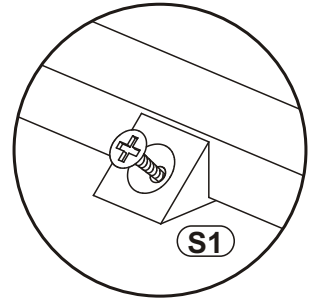
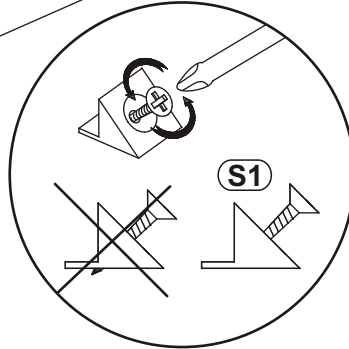
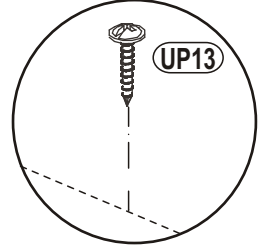
5

X=Y 90°

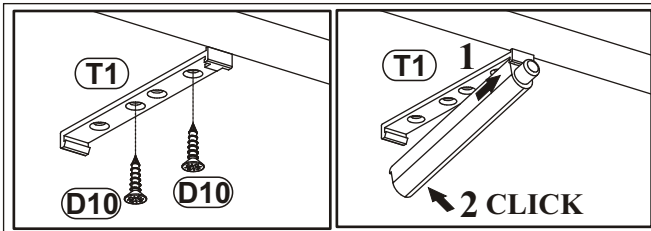


UP13	
x2	UPØ3x16

S1	
x12	



6

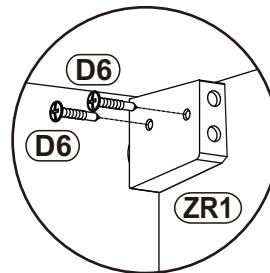
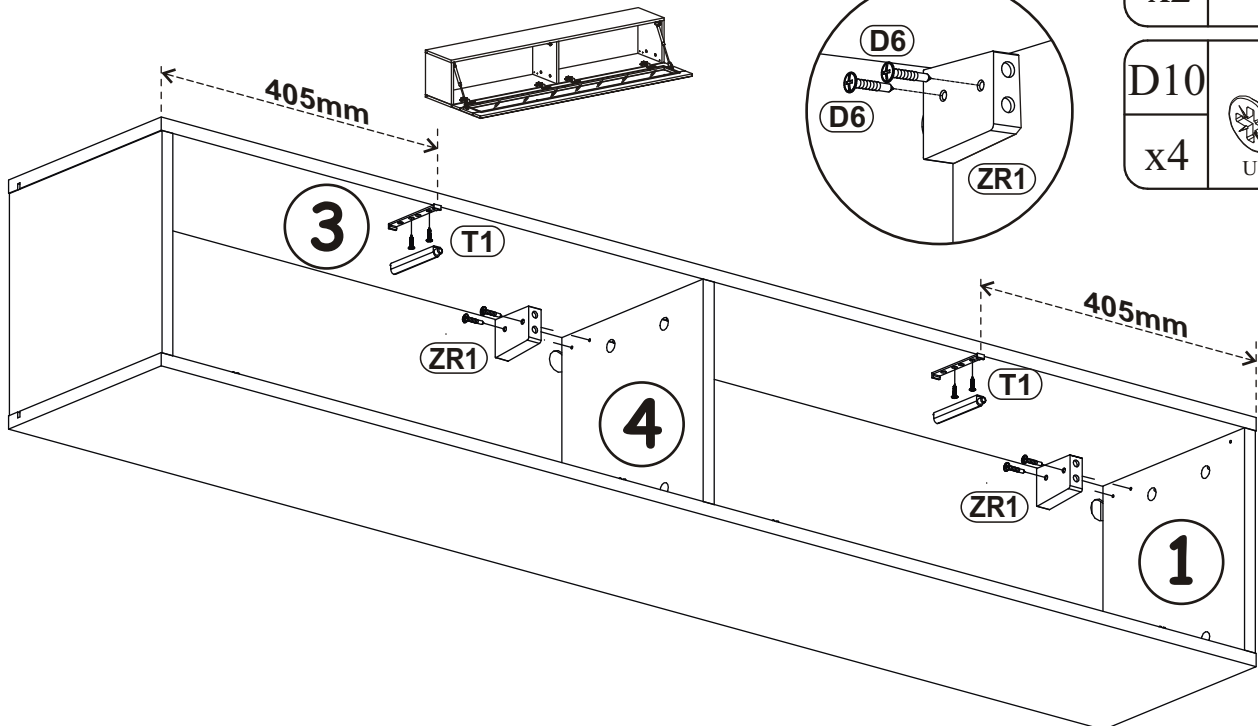


ZR1	
x2	

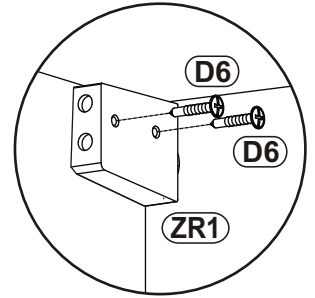
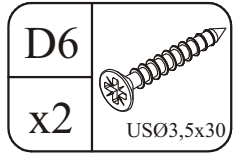
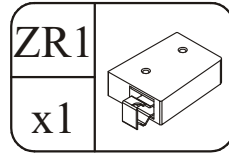
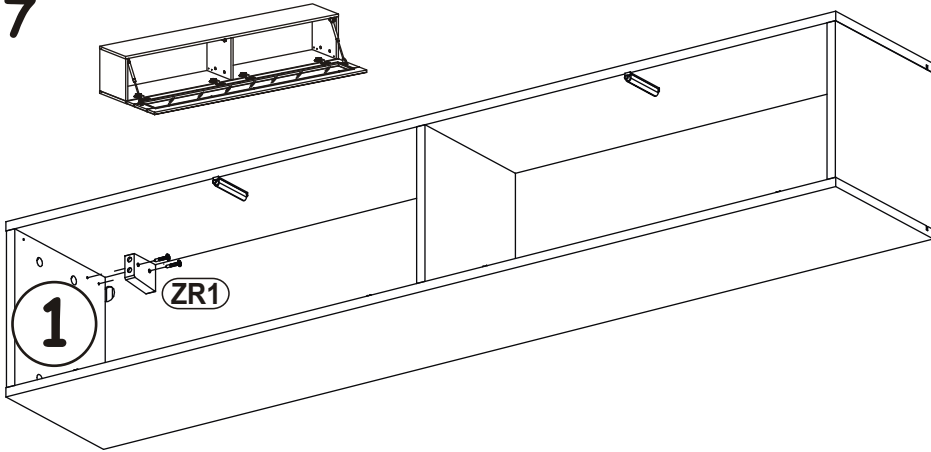
D6	
x4	USØ3,5x30

T1	
x2	

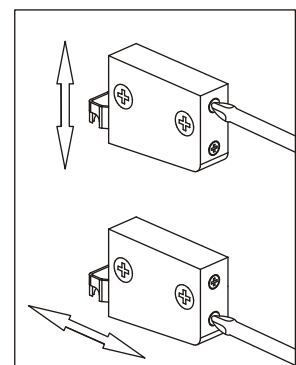
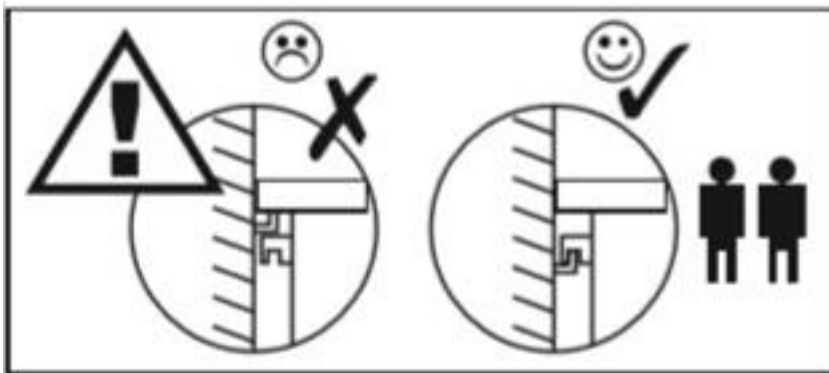
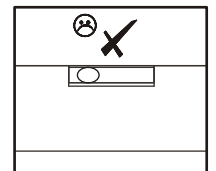
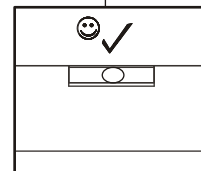
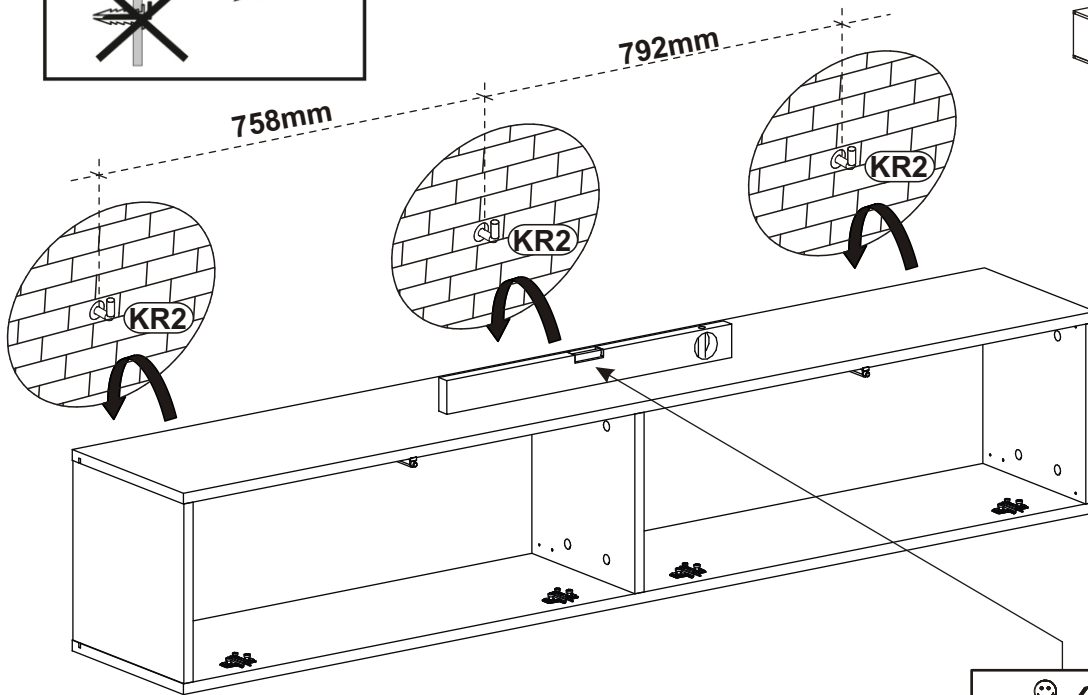
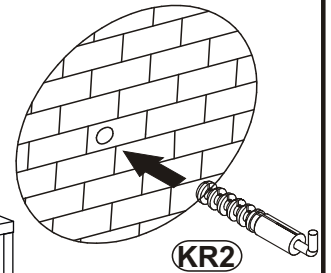
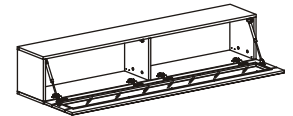
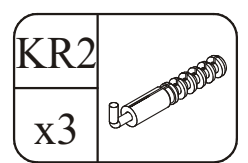
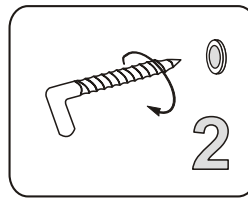
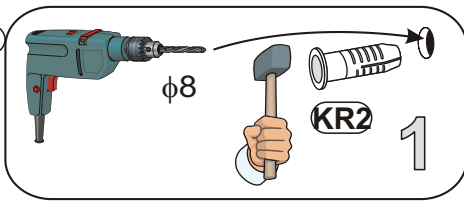
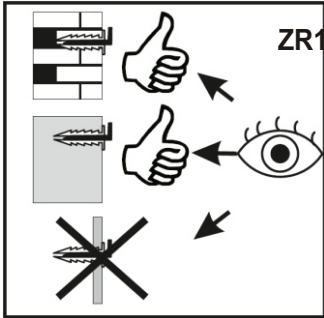
D10	
x4	USØ3,5x13



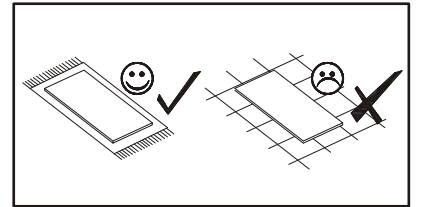
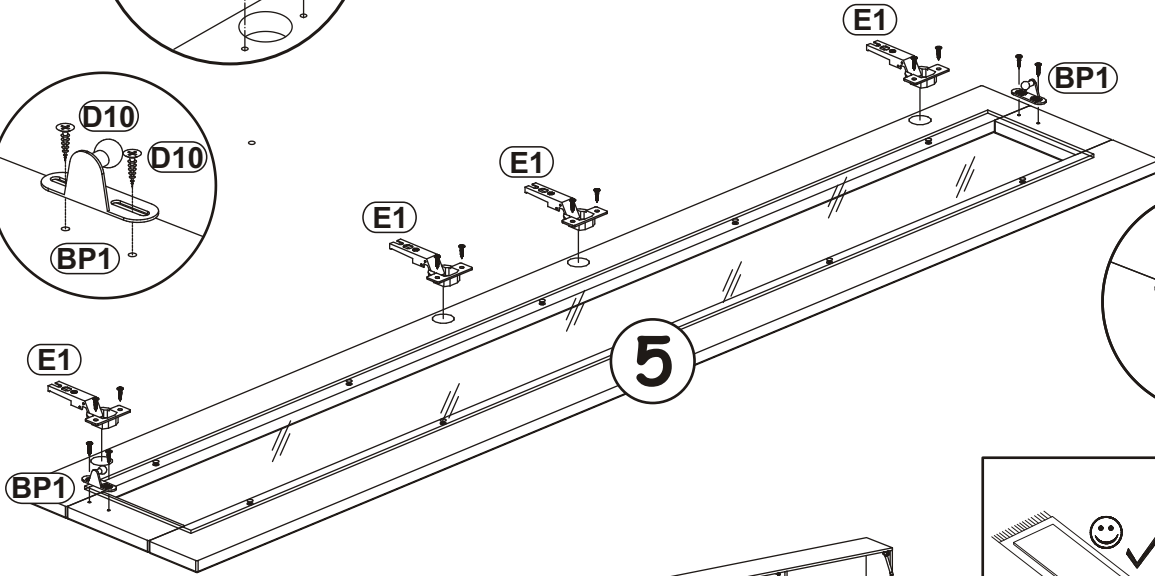
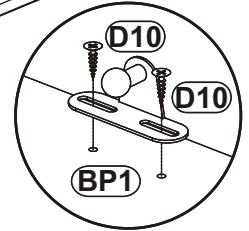
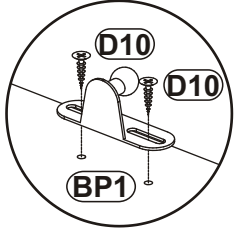
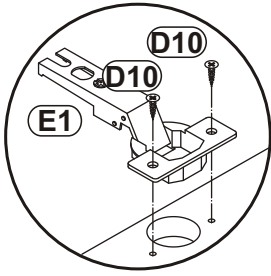
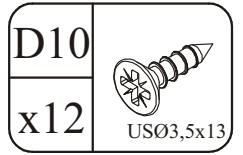
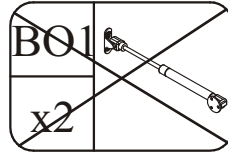
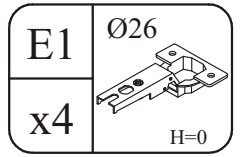
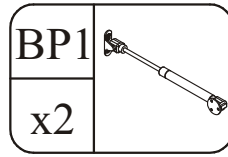
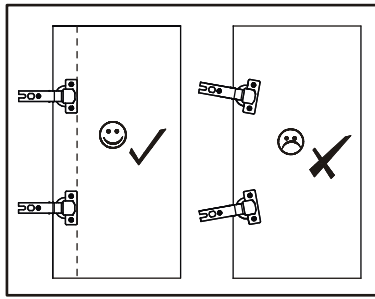
7



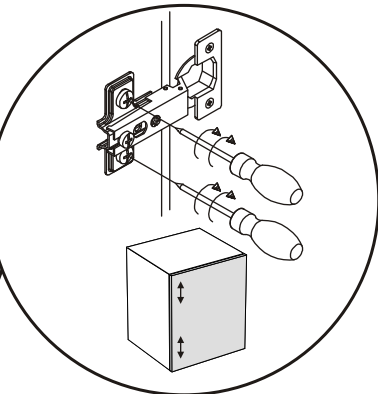
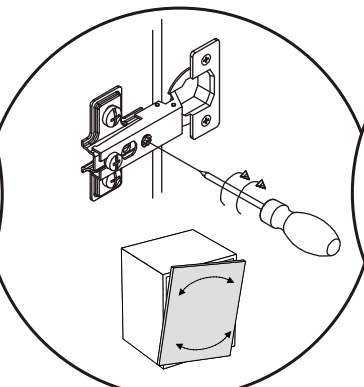
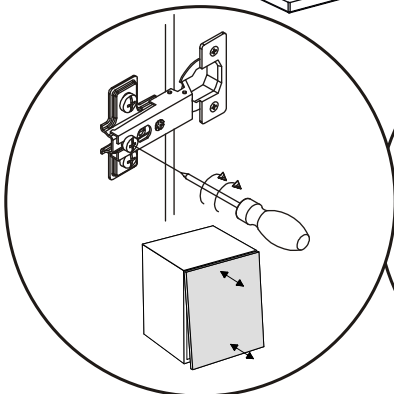
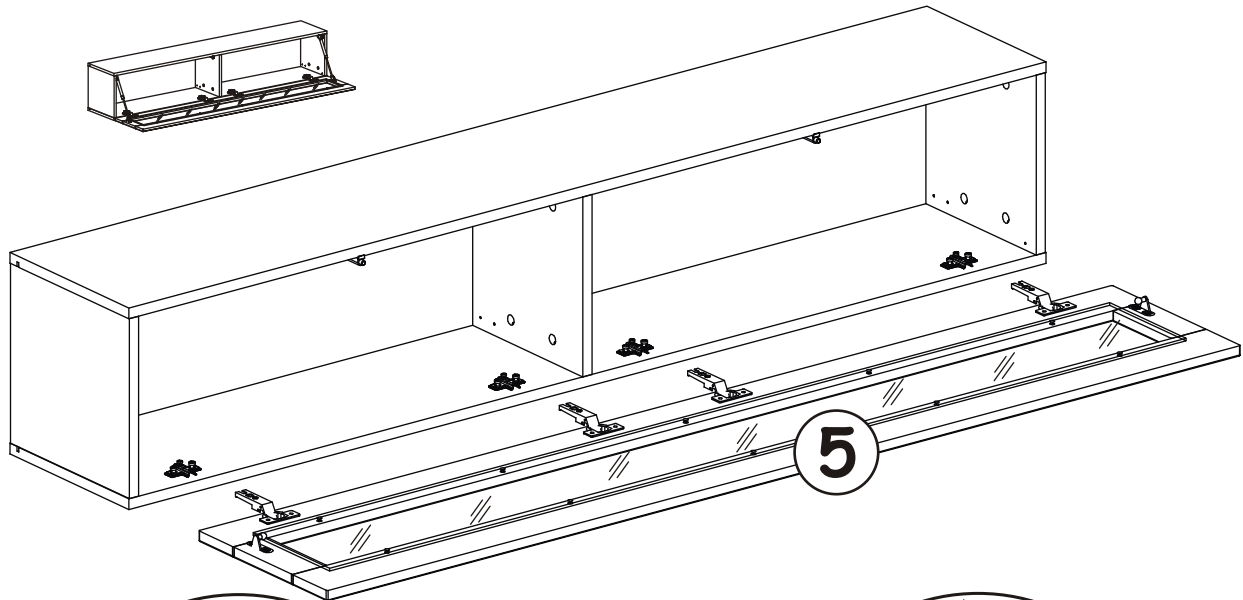
8



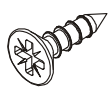
9

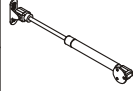


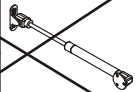
10

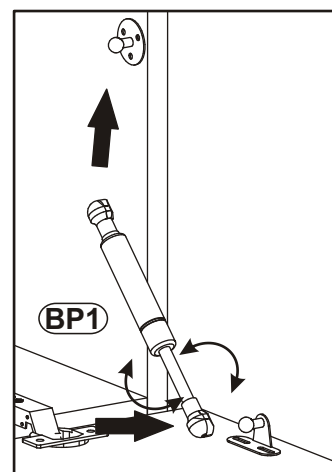
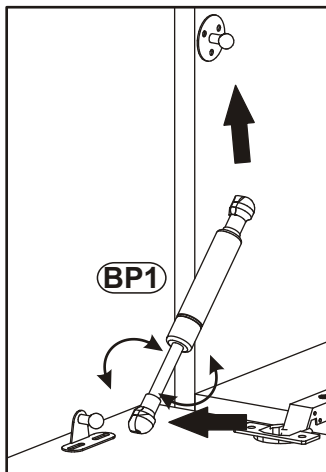
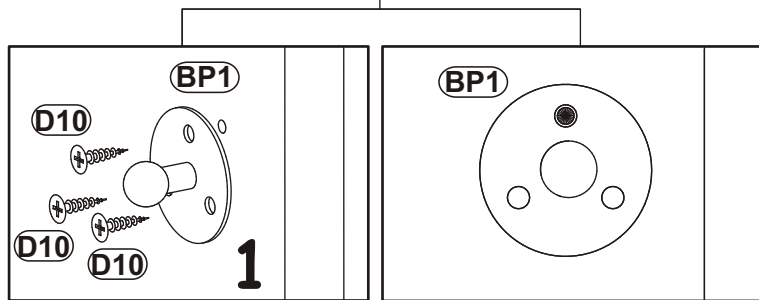
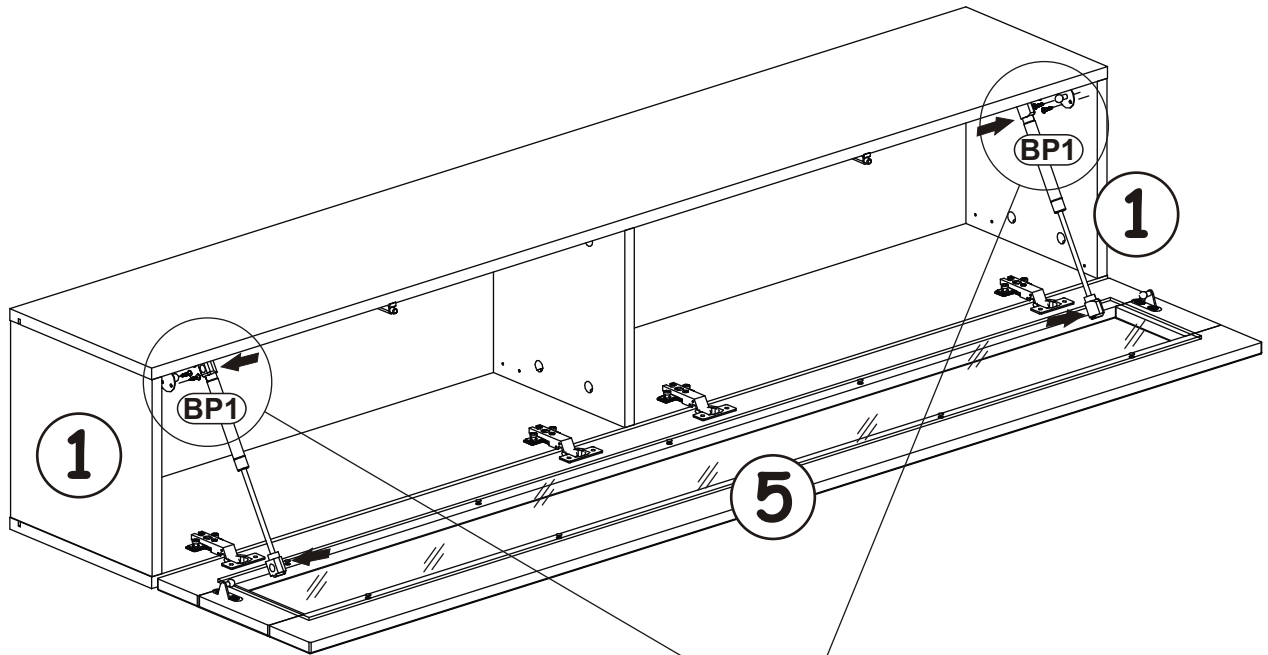
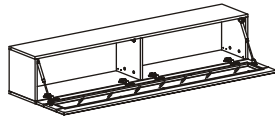


11

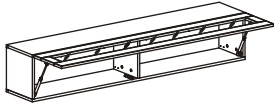
D10	
x6	USØ3,5x13

BP1	
x2	

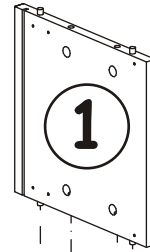
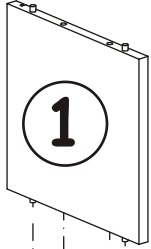
BO1	
x2	



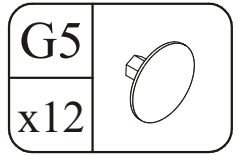
12



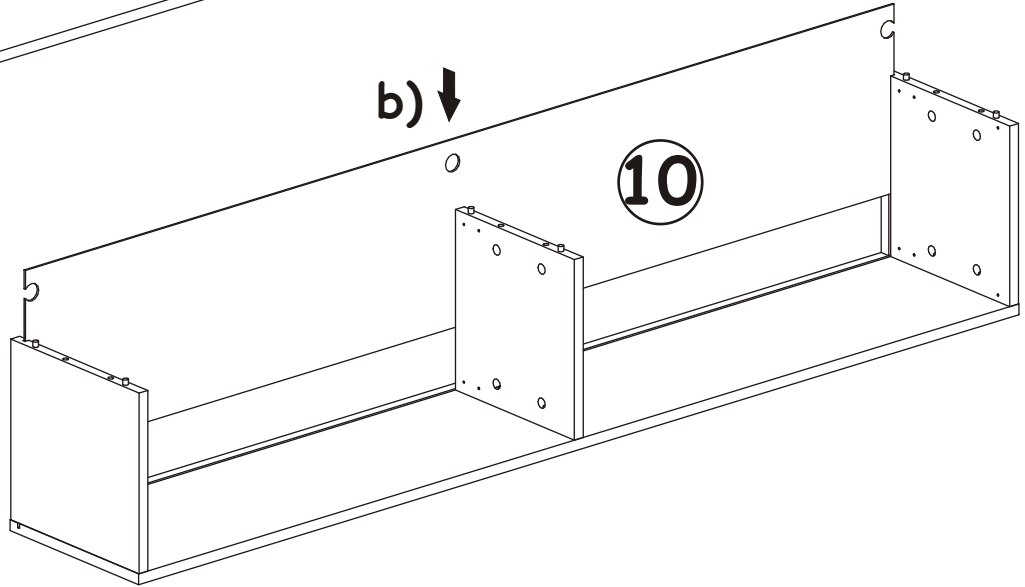
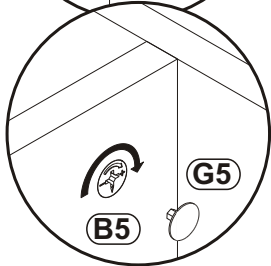
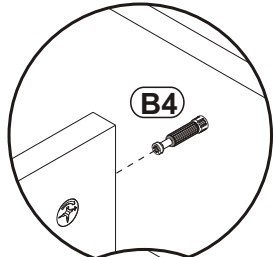
a)



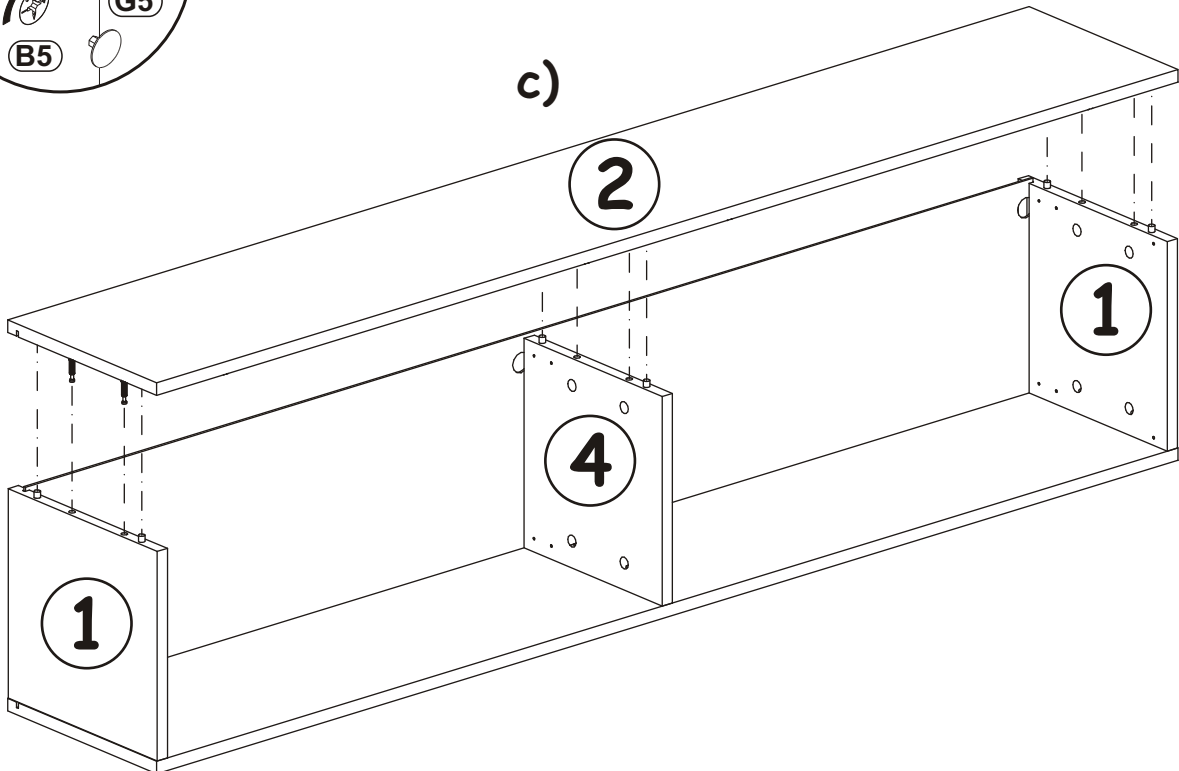
3



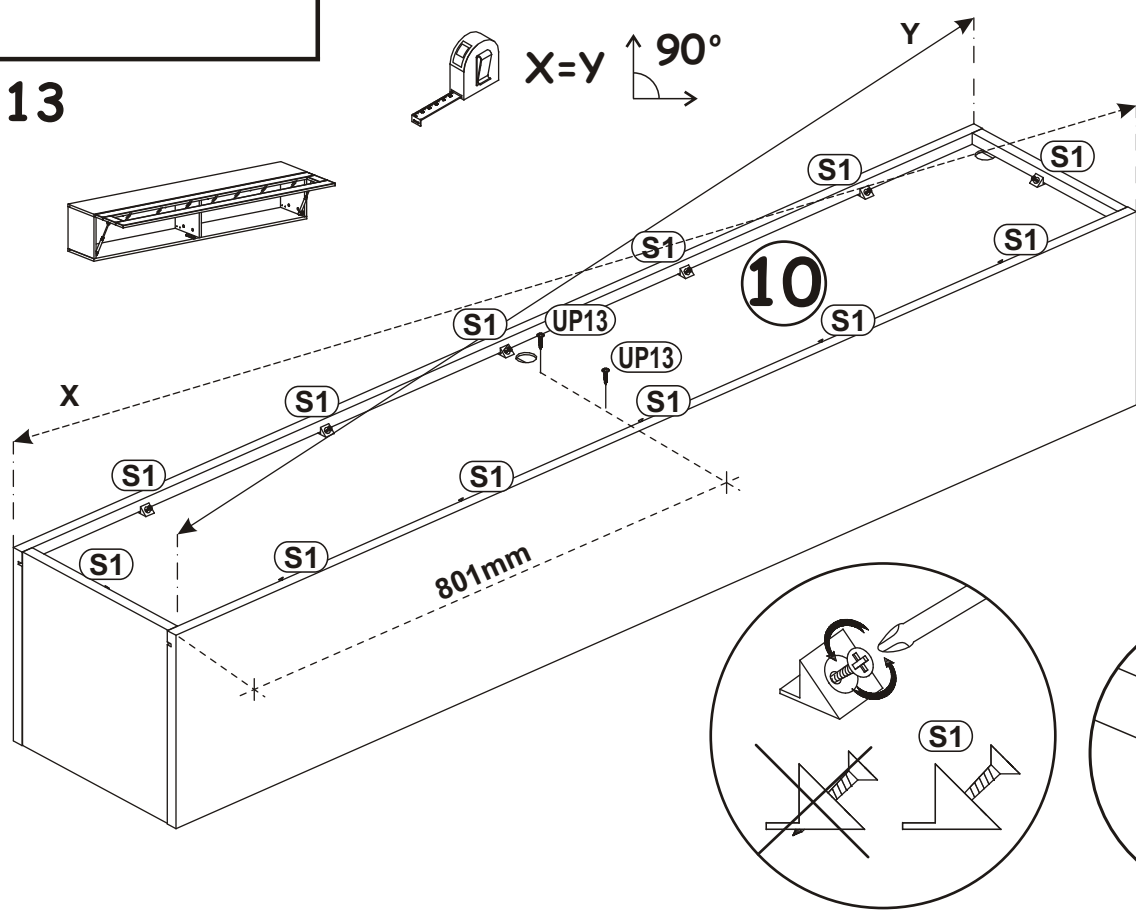
b) ↓



c)

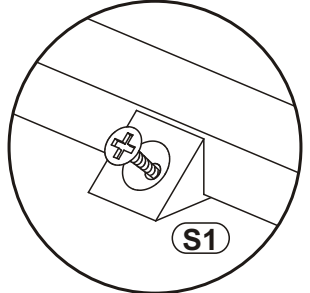
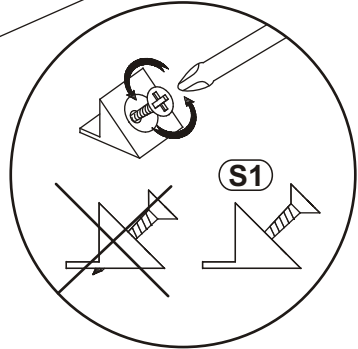
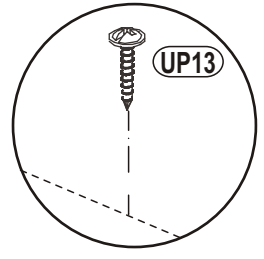


13

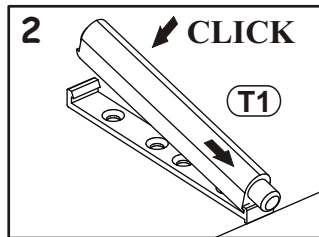
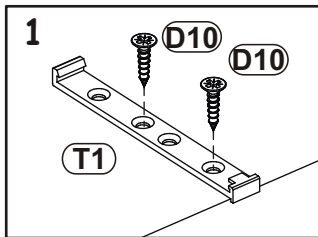


UP13	
x2	UP03x16

S1	
x12	



14

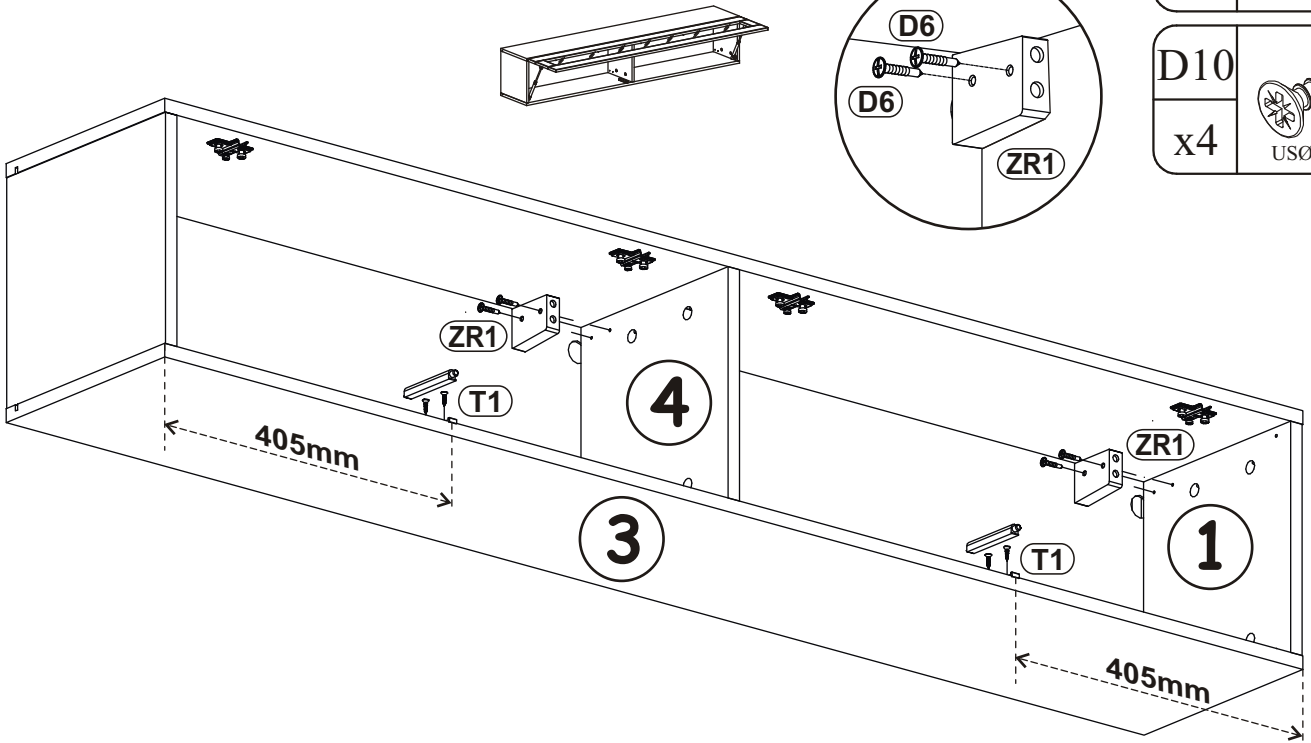
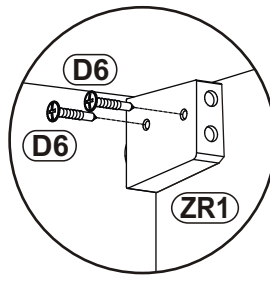


ZR1	
x2	

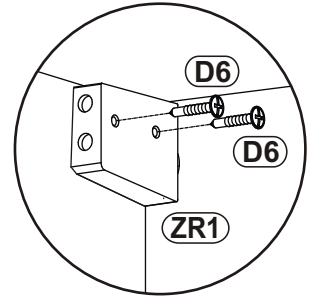
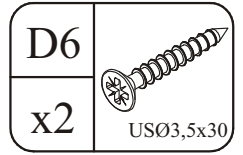
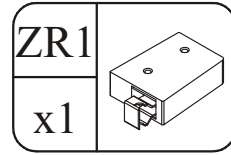
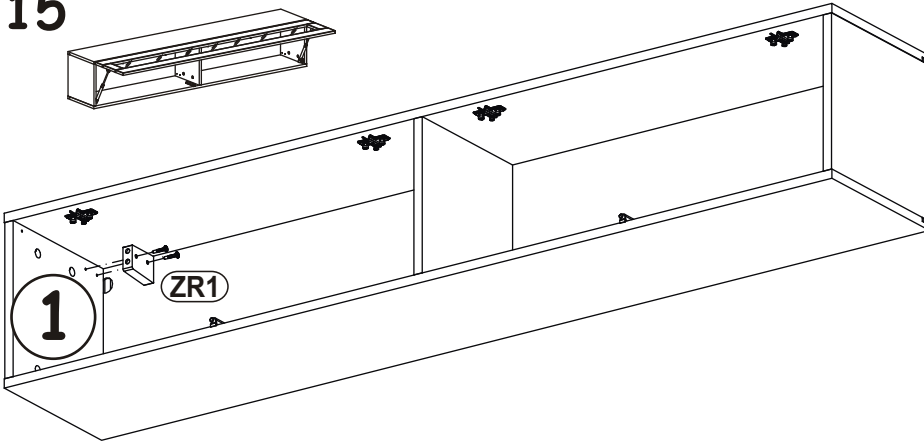
D6	
x4	US03,5x30

T1	
x2	

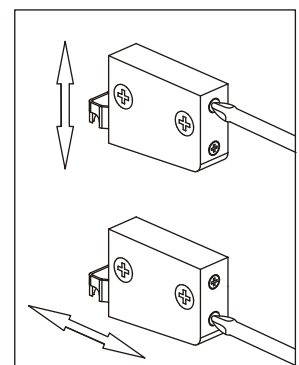
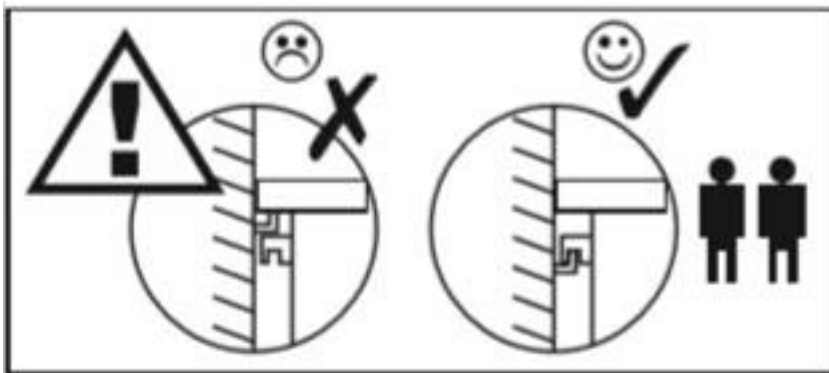
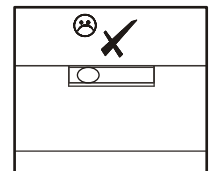
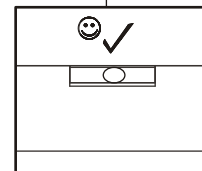
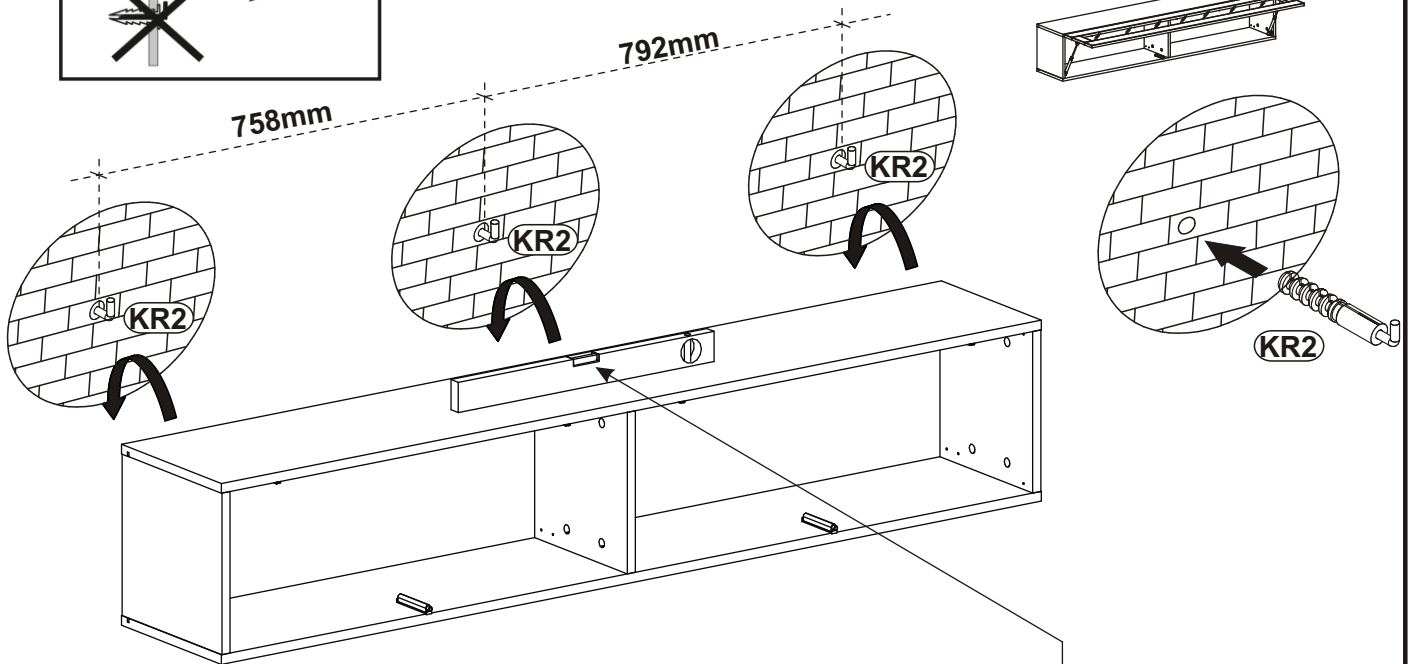
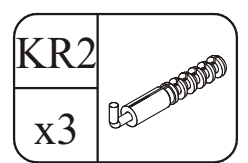
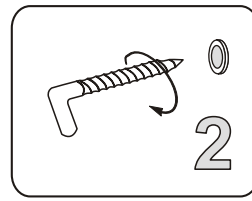
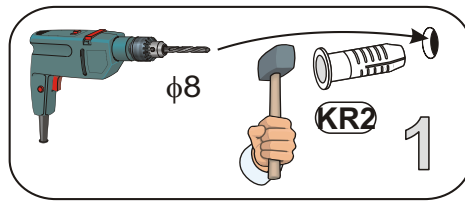
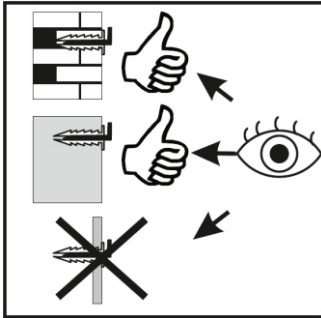
D10	
x4	US03,5x13



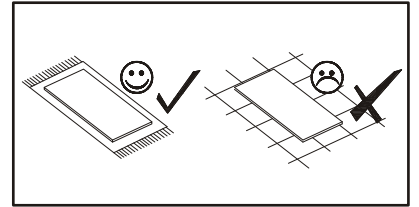
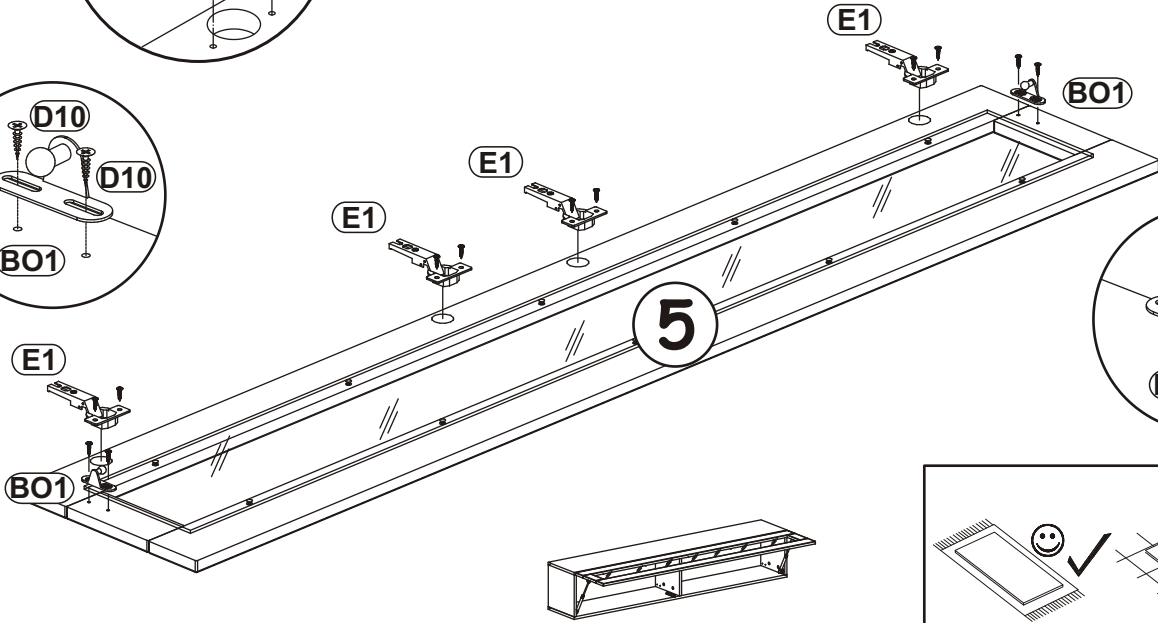
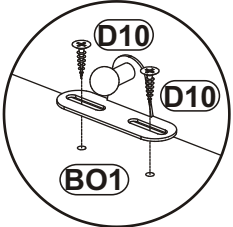
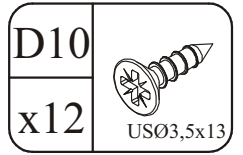
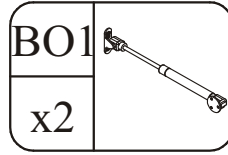
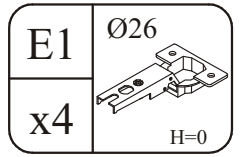
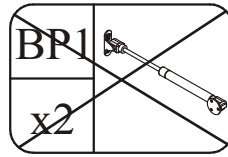
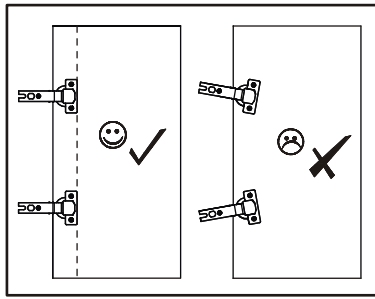
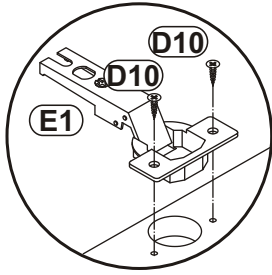
15



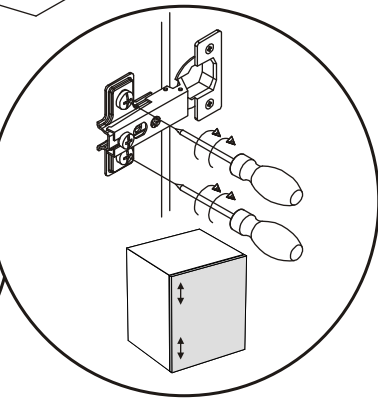
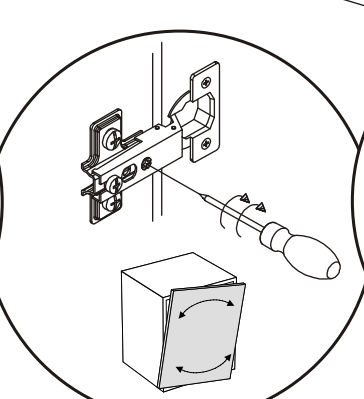
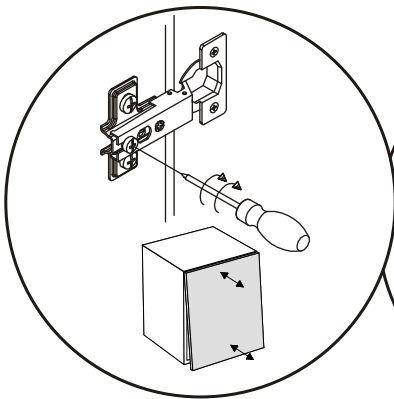
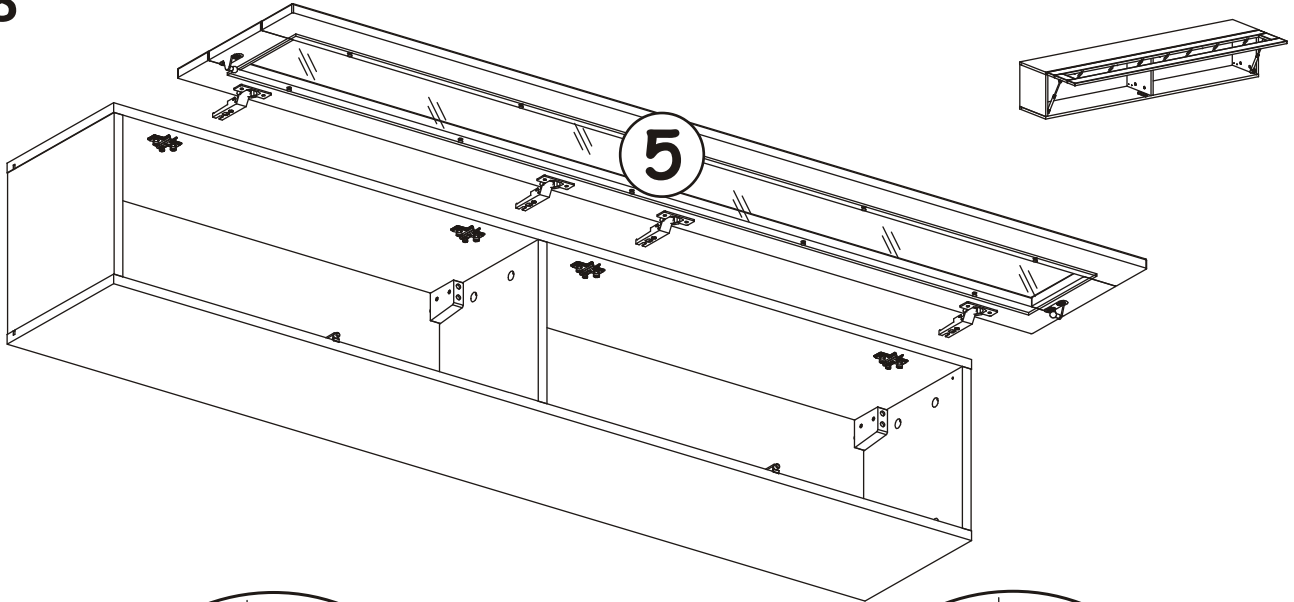
16




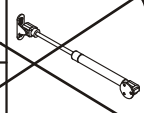
17

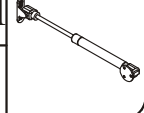


18



D10	
x6	USØ3,5x13

BP1	
x2	

BO1	
x2	

